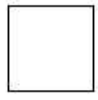
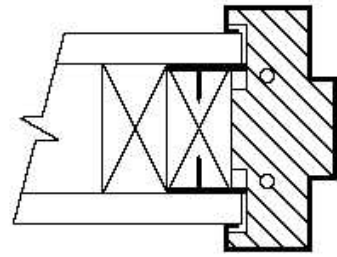
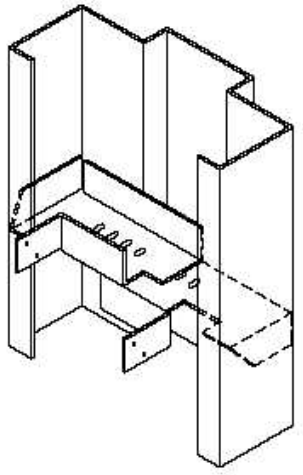
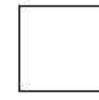
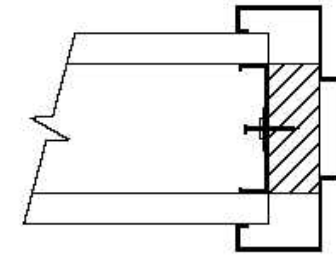
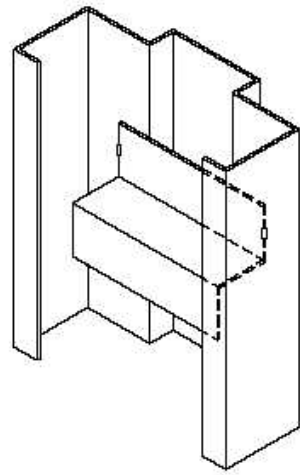


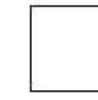
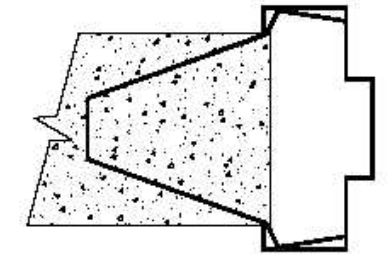
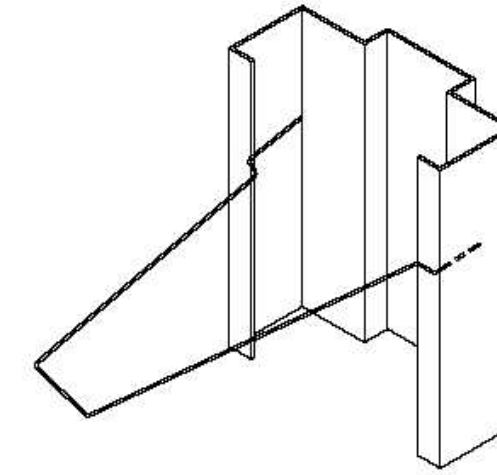
**WOOD STUD (W/S) OR  
STEEL STUD (S/S)**



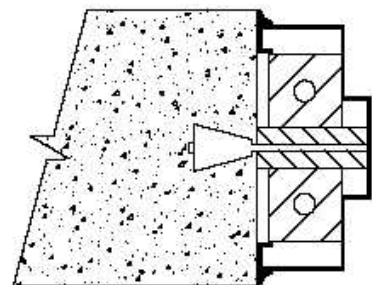
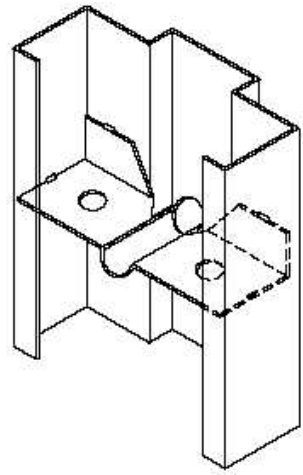
**Z CLIP (S/SZ) FOR  
STEEL STUD**



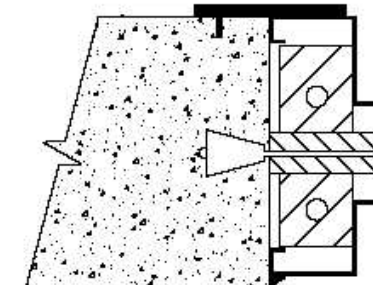
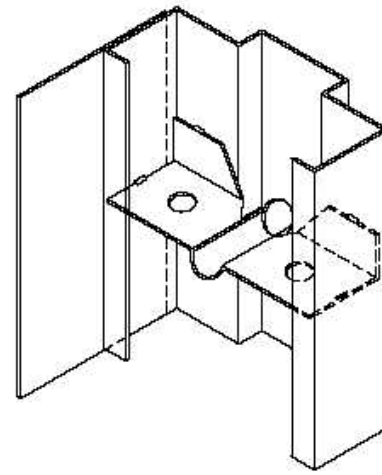
**WIRE MASONRY (M/A) FOR  
NEW BLOCK**



**EXISTING MASONRY (EMA) PREPPED  
FOR 3/8" SLEEVE ANCHORS**



**EXISTING MASONRY W/ 4" FLANGE (EMAF)  
PREPPED FOR 3/8" SLEEVE ANCHORS;  
FLANGE DRILLED FOR BLIND RIVETS**



**WELDED STRAP ANCHOR  
(STRAP)**

